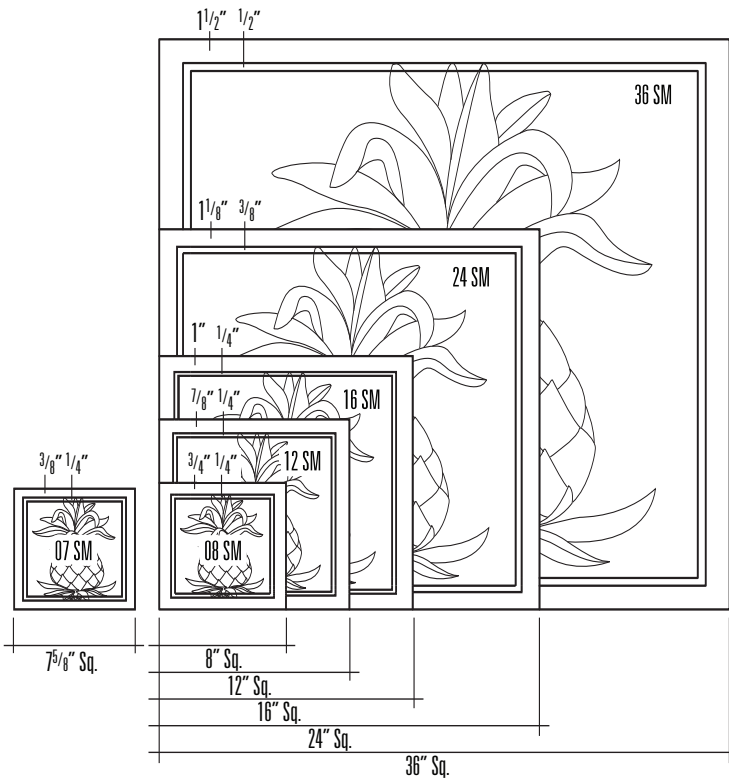


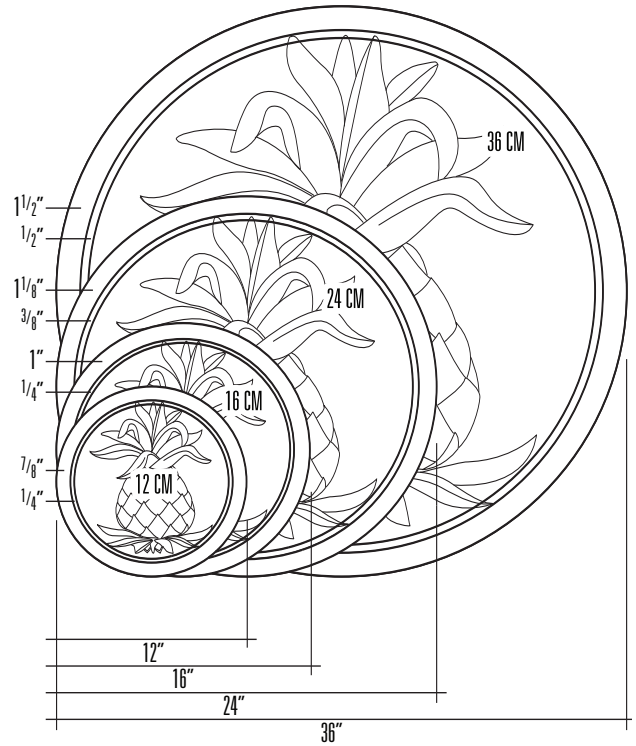
SHAPES • CODES • DIMENSIONS

ALL STANDARD ARCHITECTURAL ORNAMENTS ARE AVAILABLE IN THE SIZES AND SHAPES ILLUSTRATED.
CUSTOM DESIGNS MAY ALSO BE CREATED IN THESE SIZES AND SHAPES.

SQUARE MEDALLIONS

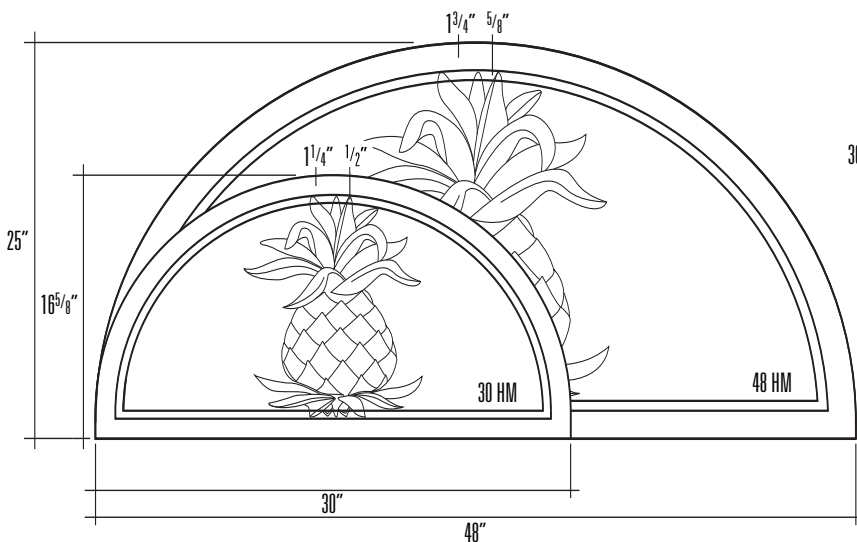


CIRCULAR MEDALLIONS

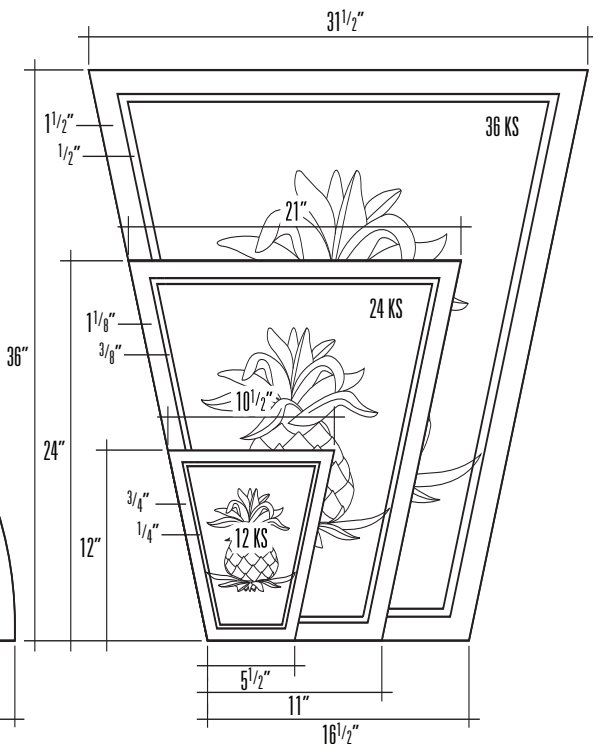


Note: All medallions 1" thick overall

HALF-ROUND MEDALLIONS

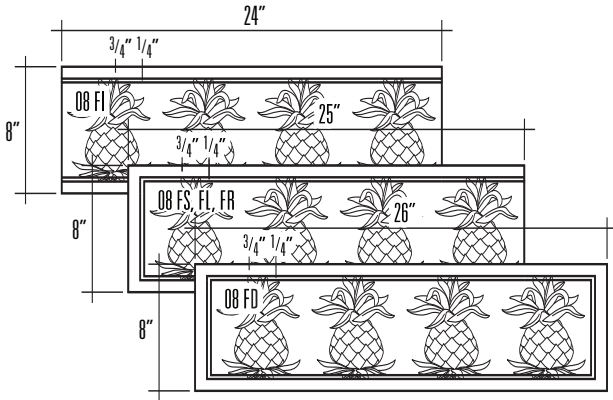


KEYSTONE MEDALLIONS



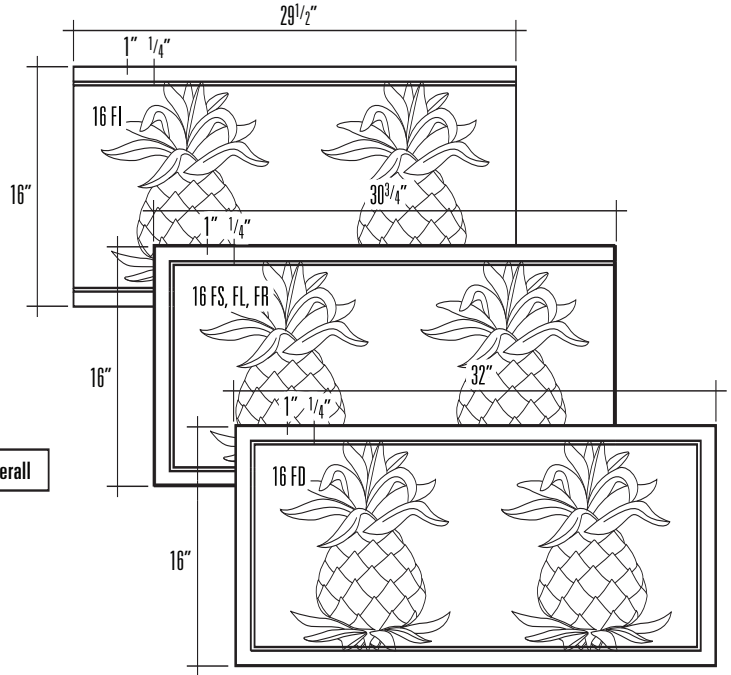
SHAPES • CODES • DIMENSIONS

8 INCH FRIEZES

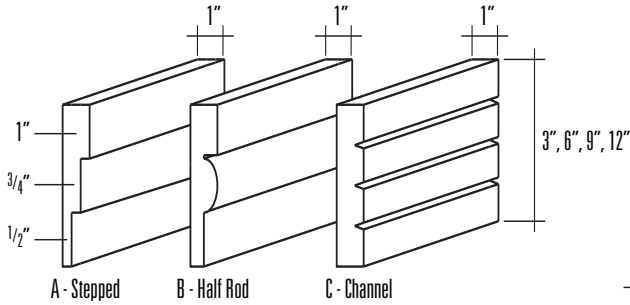


Note: All friezes 1" thick overall

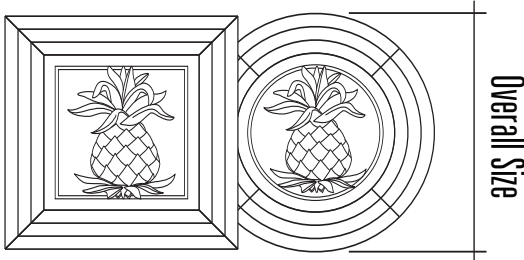
16 INCH FRIEZES



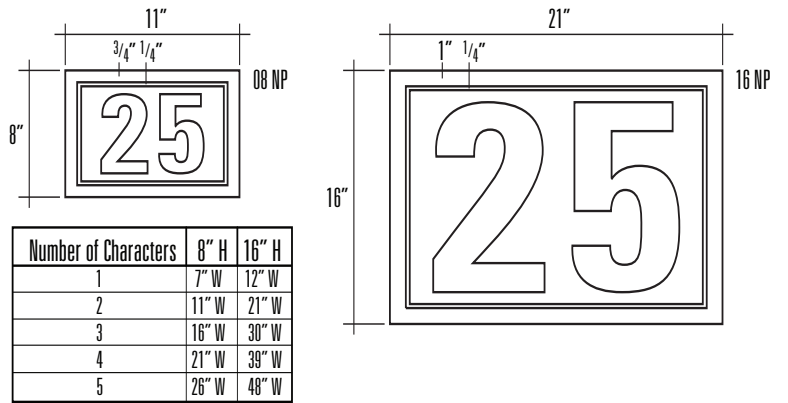
MEDALLION SURROUNDS



24" LONG STRAIGHT TRIM OR SURROUNDS FOR SQUARE AND CIRCULAR MEDALLIONS



NUMERAL PLAQUES

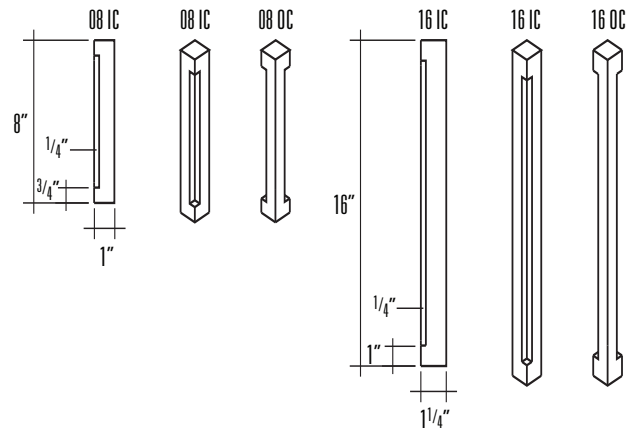


OVERALL SIZE OF MEDALLION WITH VARIOUS SURROUNDS

Medallion Size	3" wide		6" wide		9" wide		12" wide	
	8"	14"	20"	24"	N/A	N/A	N/A	N/A
12"	18"	24"	N/A	N/A				
16"	22"	28"	34"	N/A				
24"	30"	36"	42"	48"				
36"	42"	48"	54"	60"				

Note: Length and shape varies to match medallion

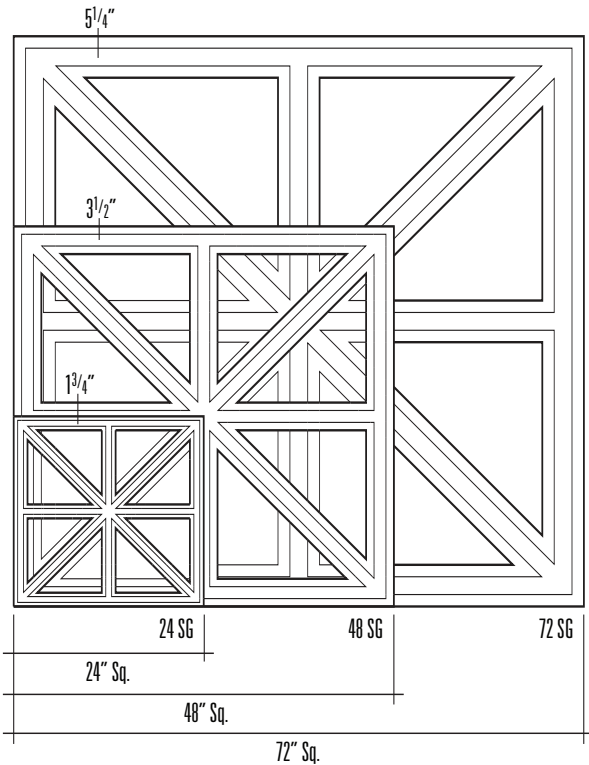
FRIEZE ENDS



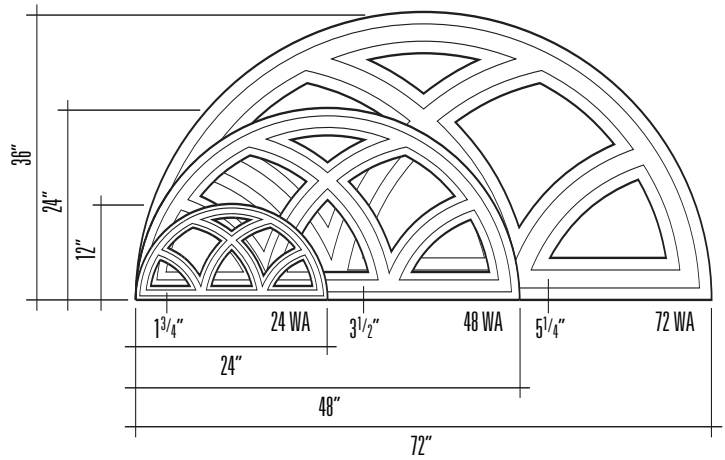
SHAPES • CODES • DIMENSIONS

Architectural Grilles Are Only Available in SculptMetal™ Finishes

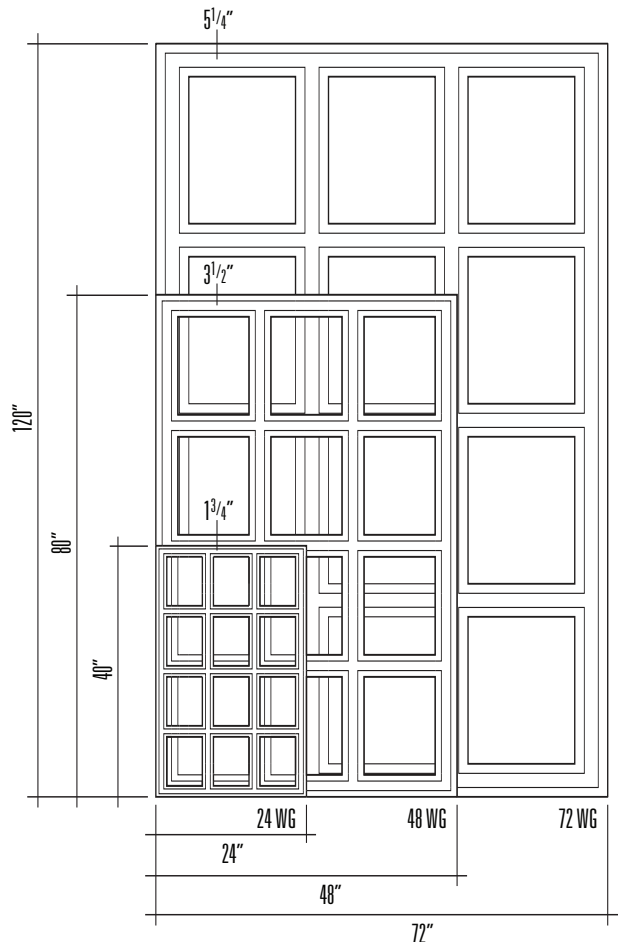
SQUARE ARCHITECTURAL GRILLES



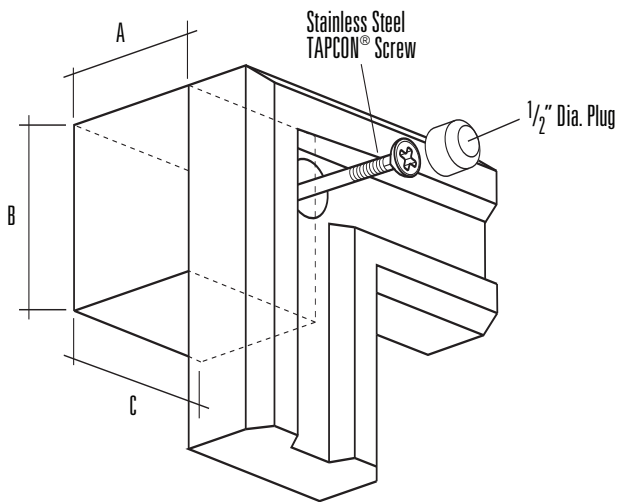
ARCHITECTURAL GRILLE ARCHES



ARCHITECTURAL GRILLE WINDOWS



OFFSET BLOCK



OFFSET BLOCK SIZES

ARCHITECTURAL GRILLE SIZES	A	B	C
24 SG, WA, WG	1 1/2"	1 3/4"	1 3/4"
48 SG, WA, WG	1 1/2"	3 1/2"	3 1/2"
72 SG, WA, WG	1 1/2"	5 1/4"	5 1/4"

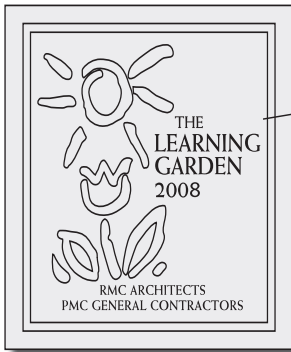
DIMENSION TOLERANCES

- Allow $\pm 1/4$ " variance in each direction for each dimension.
- Recess openings to receive SculptStone™ or SculptMetal™ must be a minimum of 1/2" larger in height & 1/2" larger in width than item.

SHAPES • CODES • DIMENSIONS

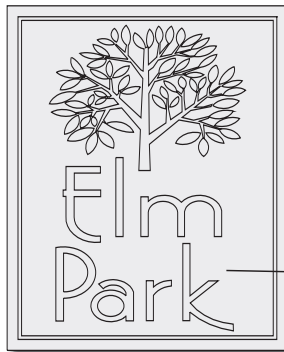
CUSTOM MEDALLIONS

ICON & LETTERING



Raised or Incised Letters and Images

SIGNAGE



RAISED OR INCISED IMAGES

MEDALLION, FRIEZE & SURROUND



Modified Standard Medallion

Raised or Incised Letters

Surrounds 3" - 12" Wide 3 Styles

Standard Design

Custom Detail

Carved from your Art or ours

COMBINATION OF CUSTOM AND STANDARD ELEMENTS

LOGOS



Raised or Incised Letters and Images

SIGNAGE



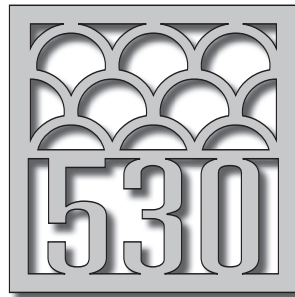
SCULPTED BAS-RELIEF IMAGE

CUSTOM GRILLES

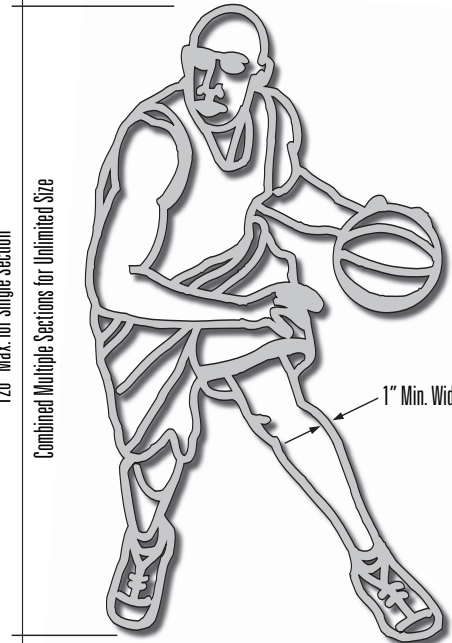
CALLIGRAPHY



GRILLE WITH CHARACTERS



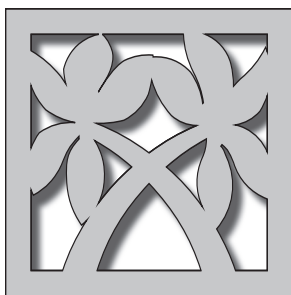
FREE FORM



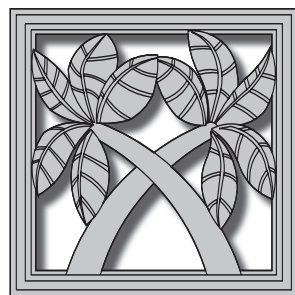
120" Max. for Single Section
Combined Multiple Sections for Unlimited Size

1" Min. Width

REPRESENTATIONAL FORM



CUTOUT STYLE



BAS RELIEF STYLE